

Setting up your French Door Refrigerator

GETTING READY TO INSTALL THE REFRIGERATOR

Congratulations on your purchase of this Samsung French Door Refrigerator.

We hope you enjoy the state-of-art features and efficiencies that this new appliance offers.

Selecting the best location for the refrigerator

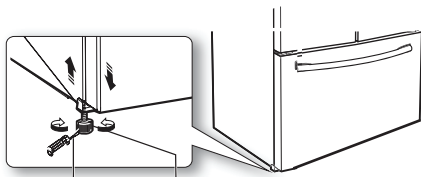
Choose:

- A location with easy access to a water supply.
- A location without direct exposure to sunlight.
- A location with a level floor.
- A location with enough space for the refrigerator doors to open easily.
- A location that allows sufficient space to the right, left, back and top for air circulation.
- A location that allows you to move the refrigerator easily if it needs maintenance or service.
- Do not install the refrigerator where the temperature will go below 50 °F (10 °C).
- Do not locate the refrigerator where it may become wet.

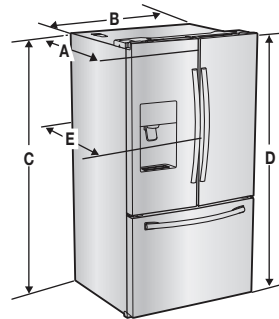
When moving your refrigerator



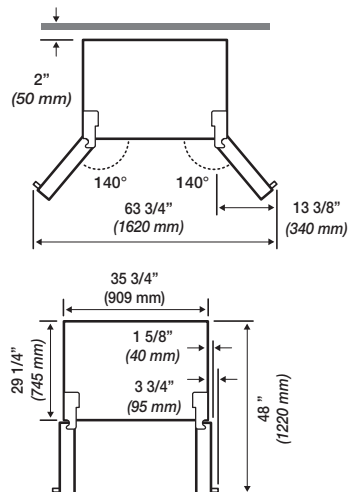
To prevent floor damage, be sure the front adjusting legs are in the up position (above the floor). Refer to 'Adjusting the Level' in the manual (on page 12).



Flat-blade screw driver(-) Control Lever



Model	RF263T**/ RF263B**
Depth "A"	33 1/2" (850 mm)
Width "B"	35 3/4" (909 mm)
Height "C"	68 3/8" (1737 mm)
Overall Height "D"	70" (1778 mm)
Depth "E"	35 3/4" (910 mm)



- The measurements here are based on the design dimension, which may differ depending on the measuring method.