



AL 400 721

Stainless steel
Width 46 5/8" (118 cm)
Air extraction/recirculation with 400 series AR400742 inline / AR401742 remote blowers and recirculation operation with AR413722 blower.
Comes without blower.

AL 400 791

Stainless steel
Width 36" (90 cm)
Air extraction/recirculation with 400 series AR400742 inline / AR401742 remote blowers and recirculation operation with AR413722 blower.
Comes without blower.

Required installation accessories

AD 754 045

Connection piece to 2x 6" round ducts, either mounted on front or back of AL 400.

AD 754 048

Transition box with two ø 6" round intakes to one ø 8" round outlet. Required to connect AL 400 to AR413722 recirculation blower.

Installation accessories

AA 010 410

Air exhaust grill for recirculation mode
Stainless steel colored, 36", including installation fittings, height adjustable.

AA 409 401

Furniture support 33 5/8" for 36" AL 400 downdraft.

Recommended as bearer for the countertop, instead of a cabinet frame.

AA 409 431

Furniture support 47 7/16" for 46 5/8" AL 400 downdraft.

Recommended as bearer for the countertop, instead of a cabinet frame.

Retractable downdraft ventilation AL 400

- Downdraft for combination with all Gaggenau cooktops, completely retractable when not in use
- Dimmable LED light for optimum illumination of the entire cooktop
- Precision-crafted 1/8-inch stainless steel frame
- For surface-mount installation with a visible edge or for flush installation
- Can be perfectly combined with other Vario 400 series products

Output

For information on maximum air output in combination with blowers refer to the remote blower table on pages 174-175.

Noise level depends on the built-in situation.

Features

3 electronically controlled output levels.
Intensive mode.
Interval ventilation.
Delayed shut-off.
Grease filter saturation display.
Cartridge-type filter, dishwasher-safe.
Dimmable LED lighting.

Planning notes

46 5/8" AL 400 downdraft can be used with 4 Vario 200 series cooktops or 3 Vario 400 series cooktops.

36" AL 400 downdraft can be used with 3 Vario 200 series cooktops, 2 Vario 400 series cooktops or a cooktop configuration of up to 36" wide.

Can be combined with gas cooktops up to 60.000 BTU.

In combination with the electric cooktop CE 490, installation in 24" deep countertops is possible. Operation of Vario cooktops is only possible without appliance cover. Installation is possible in countertops made of stone, synthetics or solid wood. Heat resistance and watertight sealing of the cut edges must be observed. Concerning other materials please consult the countertop manufacturer.

If the blower or recirculation blower is installed in the bottom cabinet and if combined with VK or VF ensure accessibility to the outlets.

The remaining countertop surface (min. 2") between the cut-out of the cooktop and the AL 400 downdraft must be reinforced with a support if less than 1 3/16" thick for surface-mount installation or less than 1 3/16". It is recommended to use furniture support AA409401/431.

If built-in situation permits, downdraft can be combined with ovens that do not exceed the maximum allowed cabinet temperature.

Recommendation for stainless steel parts positioned nearby that have to be welded and polished: brushed grain 280.

Surfaces: Stainless steel 1.341, ground and brushed IIC.

For air recirculation:

The exhaust outlet in the cabinet base should be as large as possible to minimize draughts.

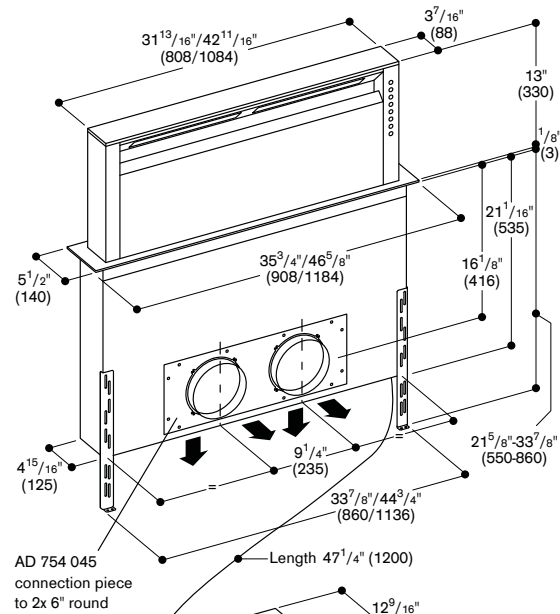
The location of the exhaust outlet in the cabinet base is consumer-defined. Minimum cross-section 112 inches². To avoid smoke when frying/grilling refer to the manuals of VR grill and VP teppan yaki.

Rating

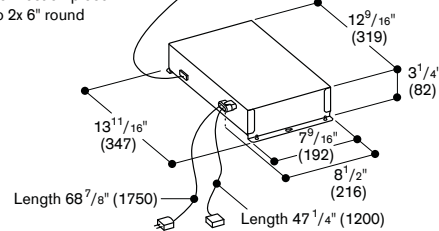
Total Amps: 10 A.

120 V / 60 Hz

Connecting cable 5.6' with plug.

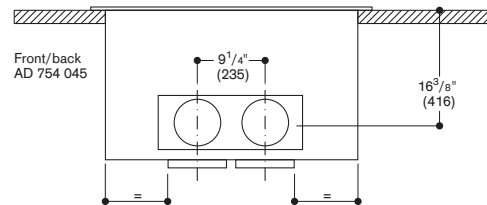


AD 754 045 connection piece to 2x 6" round

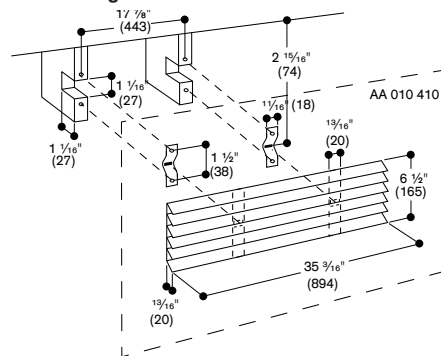


Duct connection 2 x ø 6" front/back
Round duct connection piece with AD 754 045

AL 400 connection positions ø 6"

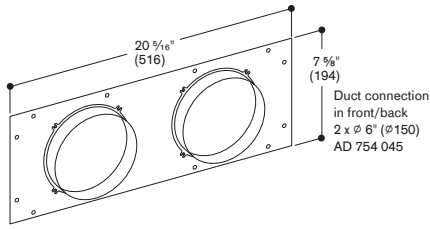


AA 010 410 air exhaust grill

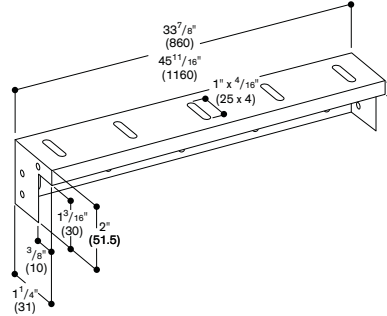


Numbers indicated inside parenthesis () = mm

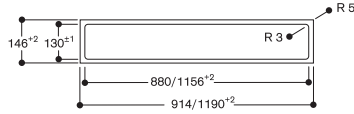
AD 754 045



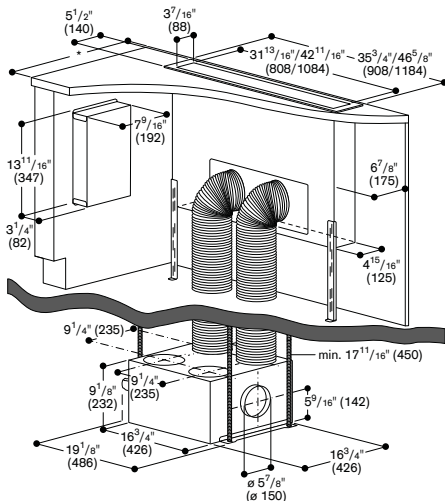
AD 409 401/431 cabinet support



AL 400 cut-out is flush

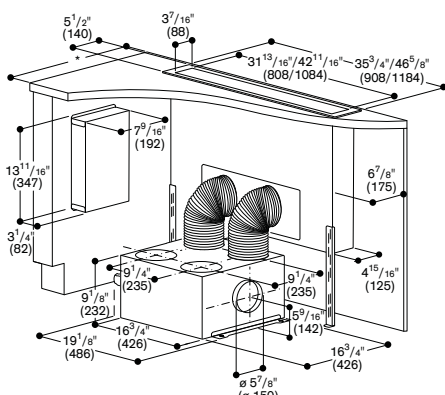


Air extraction installation option with 400 series AR400742 inline blower



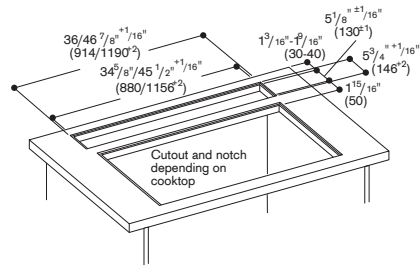
*For cooktops with cut-out depth 19 3/8\"/>

Air extraction installation option with 400 series AR400742 inline blower

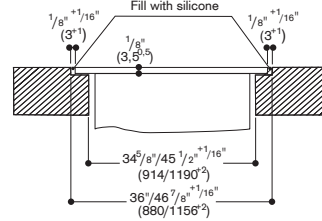


*For cooktops with cut-out depth 19 3/8\"/>

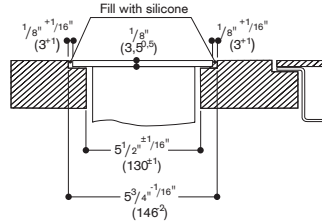
AL 400 mounted flush



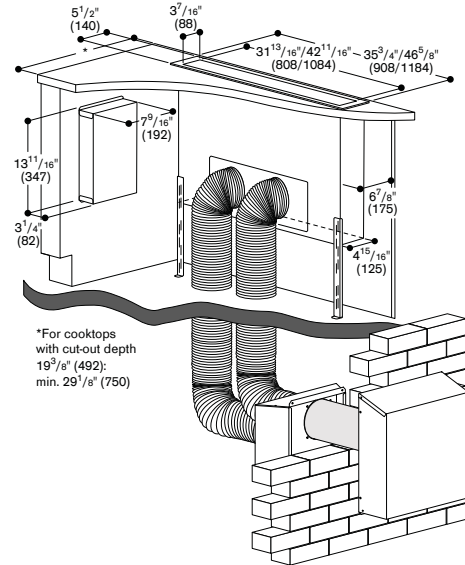
Longitudinal section



Cross-section

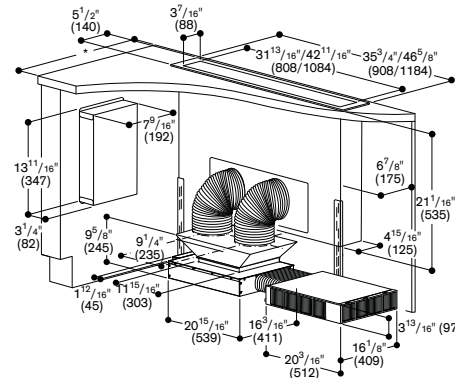


Air extraction installation with AR401742 remote blower



*For cooktops with cut-out depth 19 3/8\"/>

Recirculation configuration with 400 series AR413722 recirculation blower + AA413722 recirculation kit + AD413722 oval flex duct



*For cooktops with cut-out depth 19 3/8\"/>

Numbers indicated inside parenthesis () = mm